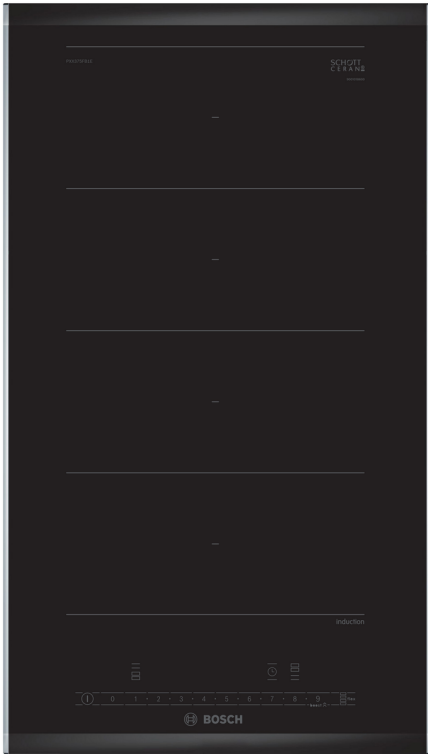


Series 6, Flex induction cooktop, 30 cm, Black, PXX375FB1E



- **FlexInduction Zone:** Get more flexibility by combining the cooking zones into one big zone for placing small pots and large cookware.
- **PowerBoost:** Up to 50% more power for faster heating.
- **ReStart:** if something boils over, the cooktop automatically turns itself off and saves the last selected setting.

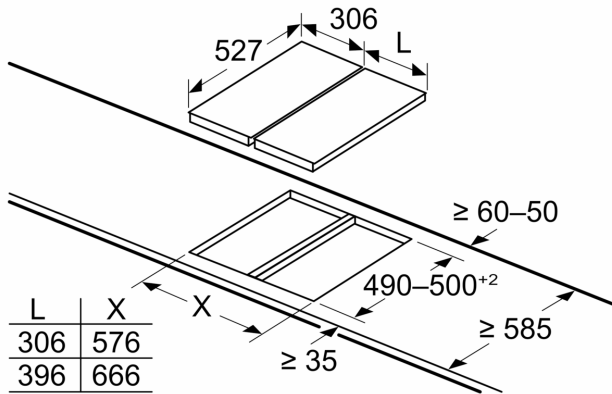
Product name/family: Vario/Domino cooking zone cera
 Built-in / Free-standing: Built-in
 Energy input: Electric
 Total number of positions that can be used at the same time: 2
 Min. required niche size for installation (HxWxD): 51 x 270 x 490-500 mm
 Width of the appliance: 306 mm
 Dimensions: 51x306x527 mm
 Dimensions of the packed product (HxWxD): 110 x 370 x 573 mm
 Net weight: 7.1 kg
 Gross weight: 8.3 kg
 Residual heat indicator: Separate
 Location of control panel: Front
 Basic surface material: Ceramic glass
 Color of surface: Black, Alu, brushed
 Length electrical supply cord: 110.0 cm
 Connection rating: 3700 W
 Voltage: 220-240 V
 Frequency: 60; 50 Hz



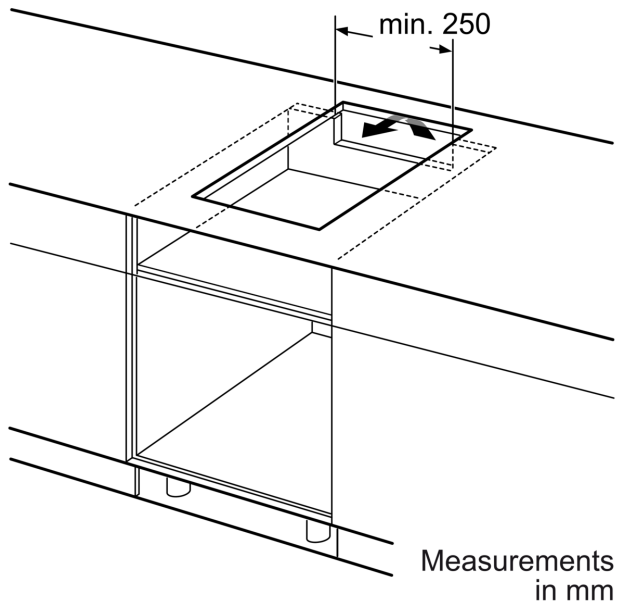
HEZ32WA00 Wireless food thermometer, HEZ390011 Stainless Steel roaster with glas lid, HEZ390012 Steaming Rack for Stainless Steel roaste, HEZ390090 Wok Set consisting of 3 Items, HEZ390512 Teppan Yaki (large), HEZ390522 Griddle Plate, HEZ394301 Connecting strip, HEZ9ES100 Espresso maker 4 cups, HEZ9FE280 Iron pan Ø 18 / 28 cm, HEZ9FF010 Flex Pan, large, HEZ9FF030 Flex Pan set, 3 pcs., HEZ9FF040 Flex Pan set, 4 pcs., HEZ9SE040 4 pieces Set, HEZ9SE060 6 pieces Set, HEZ9TY010 Teppan Yaki, HZ390011 Stainless Steel roaster with glas lid

Series 6, Flex induction cooktop, 30 cm, Black, PXX375FB1E

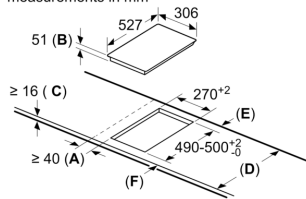
Measurements in mm



If two or more elements are installed right next to one another, one or several installation kits are required (2 elements 1 installation kit, 3 elements 2 installation kits, etc.)



measurements in mm

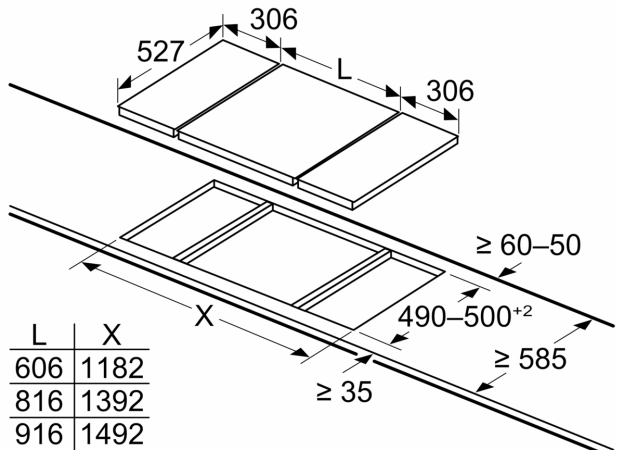


- A: Minimum distance from the hob cut-out to the wall.
- B: Recessed depth
- C: The clearance between the surface of the worktop and the top of the front of the oven must be 30 mm. See space requirements for the oven.

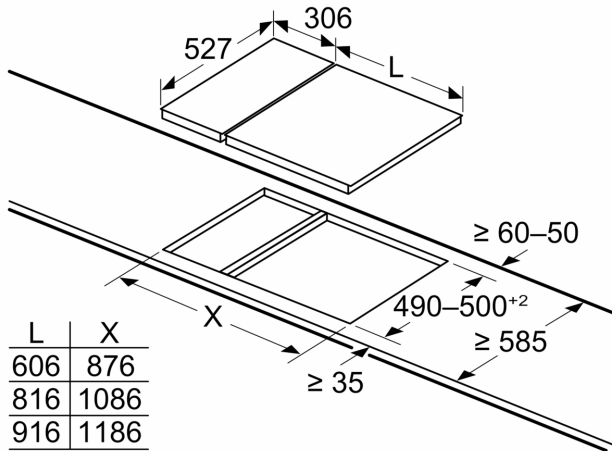
The worktop into which the hob is installed must withstand loads of approx. 60 kg; suitable substructures must be used if required.

D	E	F
585-600	50	≥ 35
> 600	≥ 50	≥ 50

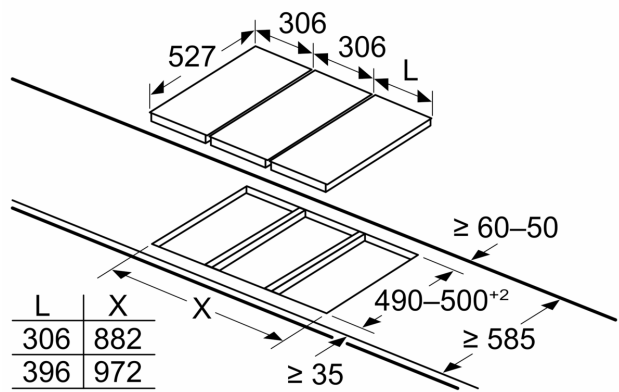
Measurements in mm



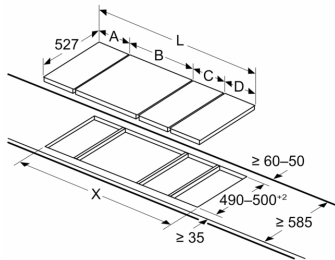
When installing two Domino units right next to a hob, two assembly kits (HEZ394301) are required

Measurements in mm


When installing two Domino units right next to a hob, two assembly kits (HEZ394301) are required

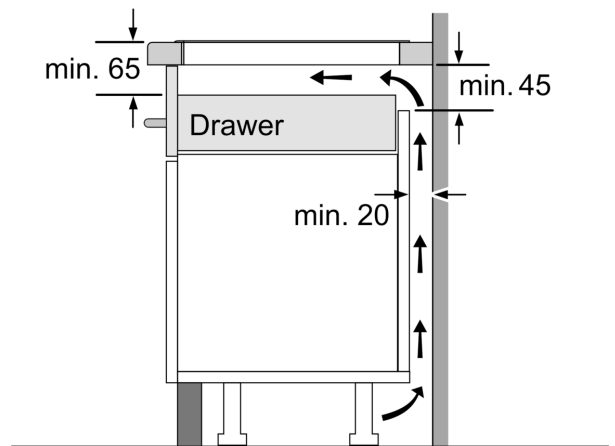
Measurements in mm


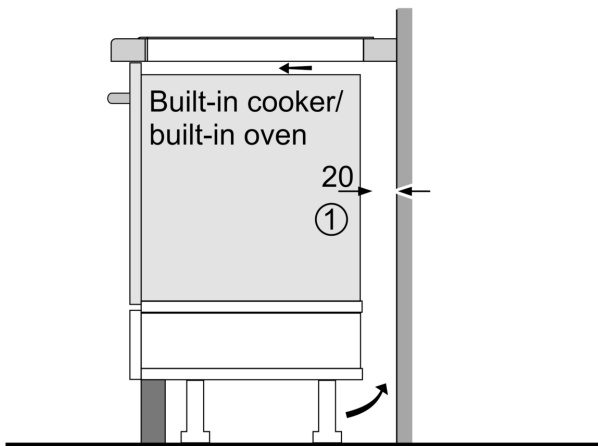
If two or more elements are installed right next to one another, one or several installation kits are required (2 elements 1 installation kit, 3 elements 2 installation kits, etc.)

**Measurements in mm
Picture for the table Domino combination possibilities with corresponding devices and cutout dimensions**


If two or more elements are installed right next to one another, one or several installation kits are required (2 elements 1 installation kit, 3 elements 2 installation kits, etc.)

Cutout dimension (X) depending on the combination (see combination table)


Measurements in mm



①
Ventilation gap must be present.

Measurements in mm

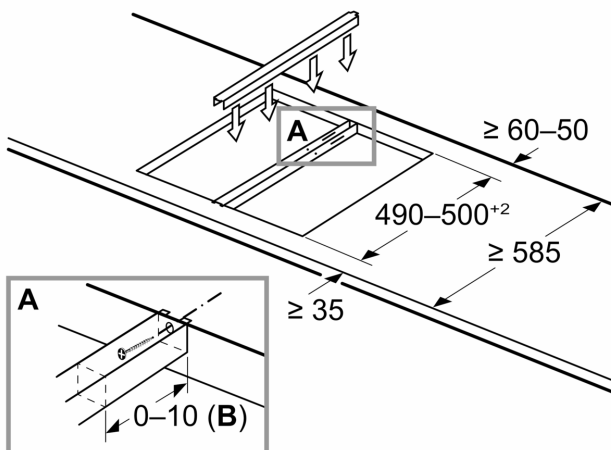
measurements in mm
Domino combination options with corresponding appliance and cut-out dimensions

Width category:
Appliance width:

	A	B	C	D	L	X		
2x30	306	306	-	-			612	576
1x30, 1x40	306	396	-	-			702	666
1x30, 1x60	306	606	-	-			912	876
1x30, 1x70*	306	710	-	-			1016	980
1x30, 1x80	306	816	-	-			1122	1086
1x30, 1x90	306	916	-	-			1222	1186
2x40	396	396	-	-			792	756
1x40, 1x60	396	606	-	-			1002	966
1x40, 1x70*	396	710	-	-			1106	1070
1x40, 1x80	396	816	-	-			1212	1176
1x40, 1x90	396	916	-	-			1312	1276
3x30	306	306	306	-			918	882
2x30, 1x40	306	306	396	-			1008	972
2x30, 1x60	306	306	606	-			1218	1182
2x30, 1x70*	306	306	710	-			1322	1286
2x30, 1x80	306	306	816	-			1428	1392
2x30, 1x90	306	306	916	-			1528	1492
1x30, 2x40	306	396	396	-			1098	1062
1x30, 1x40, 1x60	306	396	606	-			1308	1272
1x30, 1x40, 1x70*	306	396	710	-			1412	1376
1x30, 1x40, 1x80	306	396	816	-			1518	1482
1x30, 1x40, 1x90	306	396	916	-			1618	1582
2x40, 1x60	396	396	606	-			1398	1362
4x30	306	306	306	306			1224	1188
3x30, 1x40	306	306	306	396			1314	1278
1x30, 1x75	306	750	-	-			1056	1020
1x40, 1x75	396	750	-	-			1146	1110
2x30, 1x75	306	306	750	-			1362	1326
1x30, 1x40, 1x75	306	396	750	-			1452	1416

* Not possible with 70 cm induction hob

Measurements in mm
Assembly kit (HEZ394301) for Domino



B: Dependent on the cut-out depth