

**Series 6, built-in microwave, 59 x 38 cm, Stainless steel
BEL554MS0M**



1 x grid, 1 x Turntable

HEZ86D000 Steamer Cooker Accessory for Microwave

The built-in microwave for the 38 cm niche: use it for thawing, heating and perfect preparation of foods.

- **AutoPilot 8:** every dish is a perfect success thanks to 8 pre-set automatic programmes.
- **Pop-out controls:** for an easy to clean front.
- **Stainless steel interior:** easy to clean interior thanks to smooth surfaces and no sharp edges.
- **Electronical door opening:** comfortable door opening just with a fingertip on the sensor button.
- **Grill function:** perfect grilling results are quickly and easily achieved thanks to a powerful grill.

Additional function:Grill function
 Type of control:Electronic
 Dimensions: 382x594x388 mm
 Cavity dimensions: 208.0 x 328.0 x 369.0 mm
 Length electrical supply cord: 130.0 cm
 Net weight: 16.9 kg
 Gross weight: 20.7 kg
 Max. microwave power level: 900 W
 Number of Power Levels: 5
 Turntable:Yes
 Cavity material: Stainless steel
 Door opening: Button
 Clock:Yes
 Included accessories: 1 x grid, 1 x Turntable
 Height of the appliance: 382 mm
 Width of the appliance: 594 mm
 Depth of the product: 388 mm
 Max. microwave power level: 900 W
 Connection rating: 1450 W
 Fuse protection: 10 A
 Voltage: 230-240 V
 Frequency: 50 Hz
 Plug type: GB plug
 Required cutout/niche size for installation (in):x
 Dimensions of the packed product: 18.50 x 18.11 x 25.98
 Net weight: 37.000 lbs
 Gross weight: 46.000 lbs



Series 6, built-in microwave, 59 x 38 cm, Stainless steel BEL554MS0M

The built-in microwave for the 38 cm niche: use it for thawing, heating and perfect preparation of foods.

Microwave and Heating System

- Max. Power: 900 W; 5 Microwave power settings: 90 W, 180 W, 360 W, 600 W, 900 W
- Grill 1200 W
- Grill and microwave power levels 90 W, 180 W, 360 W combinable
- Microwave and grill for separate use and in
- Kombination nutzbar
- Cavity volume: 25 l

Design:

- stainless steel cavity

Comfort:

- LED
- electronic clock
- User-friendly electronics: extremely
- easy and comfortable operation
- automatic programming, 8
- 4 defrost and 3 cooking programmes in microwave function, 1 programmes for combination function
- memory function (1 setting)
- LED light
- Turn table 31.5 cm Glass
- side opening door, hinge left

Accessory:

- 1 x Turntable, 1 x grid

Environment and Safety:

- Safety switch
- door contact switch
- Integral cooling fan

Technical Info:

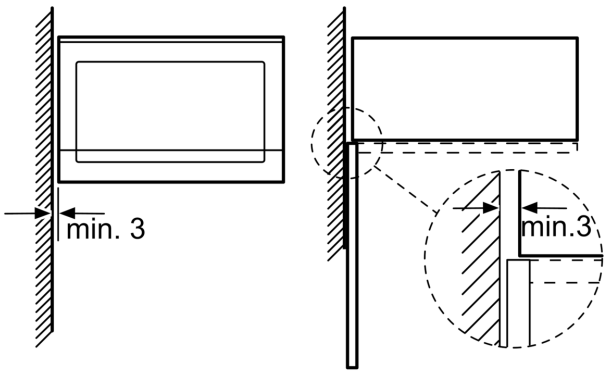
- Length of mains cable: 130 cm
- Total connected load electric: 1.45 KW
- Nominal voltage: 230 - 240 V
- Can be built in a 60 cm wall cupboard (at least 30cm deep)

Dimensions:

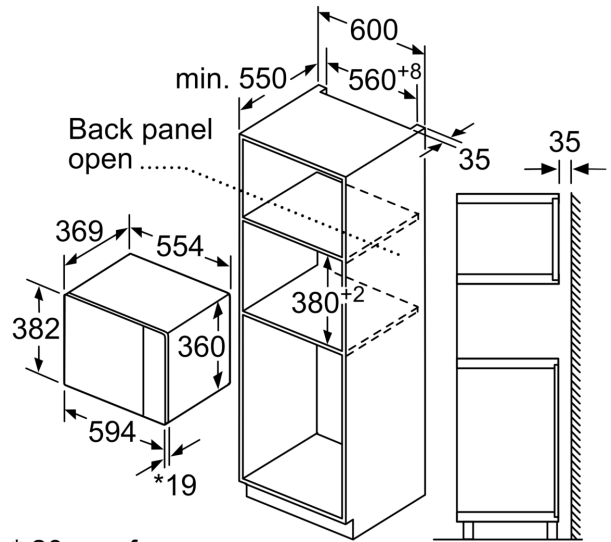
- Appliance dimension (hxwx): 382 mm x 594 mm x 388 mm
- Niche dimension (hxwx): 380 mm - 382 mm x 560 mm - 568 mm x 550 mm
- "Please reference the built-in dimensions provided in the installation drawing"
- Rotary Control, Pop-out controls, Touch control
- Open Button, electric
- Touch key operation

**Series 6, built-in microwave, 59 x 38 cm, Stainless steel
BEL554MS0M**

Microwave,
corner installation

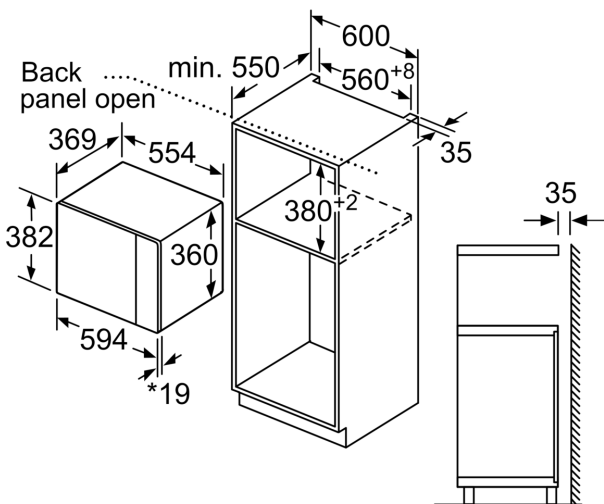


Measurements in mm



* 20 mm for
metal fascia

measurements in mm



* 20 mm for metal fascia

measurements in mm

